



Technical Bulletin

Ref: **TB-14007**

Issue date: **July 2014**

Product: INOmax DS_{IR}[®]

Priority: Low

Affected parts: Nebulizer Disk Filter

Classification: Information for
Distribution

Subject: **New Nebulizer Disk Filter**

WARNING: Use only parts/accessories designated for use with the INOmax DS_{IR}.

Caution: Pneumatic nebulizers will dilute the delivered INOMAX[®] dose.

This technical bulletin is written to advise clinicians that a new nebulizer disk filter (PN 90829) is replacing the 0.5 micron disk filter (PN 80333) for use with the INOmax DS_{IR} while administering aerosol medication in conjunction with INOMAX. Mallinckrodt provides this disk filter and has validated it for this purpose.

There is also a change in the mounting position for the new sample line filter and recommended frequency to change the filter.

To sample inspired gas during aerosol delivery:

- Sample line filter should now be placed at the sample line inlet on the INOmax DS_{IR} (see Figure #1).
- The new 1.0 micron, glass fiber, disk filter is easily identifiable by the larger size diameter (50mm vs 30mm for the old)

1. Place the 1.0 micron disk filter on the INOmax DS_{IR} sample line inlet.
2. Connect the INOmax DS_{IR} sample line to the filter (see Figure #1).

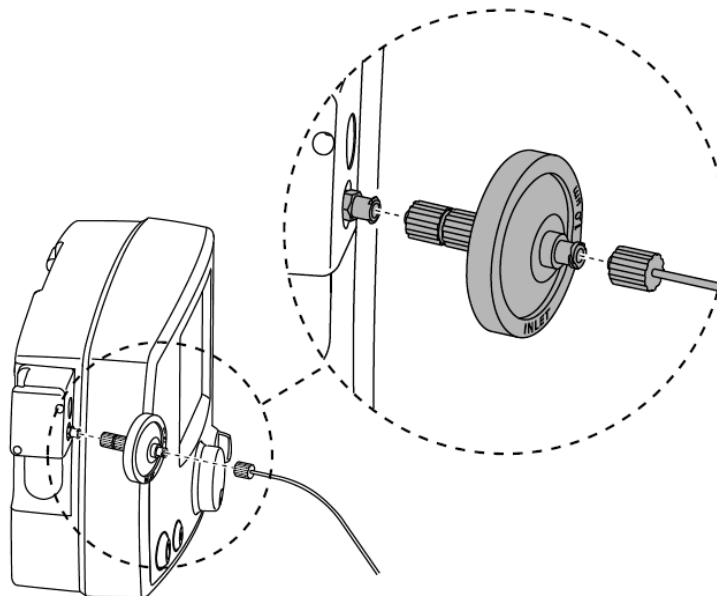
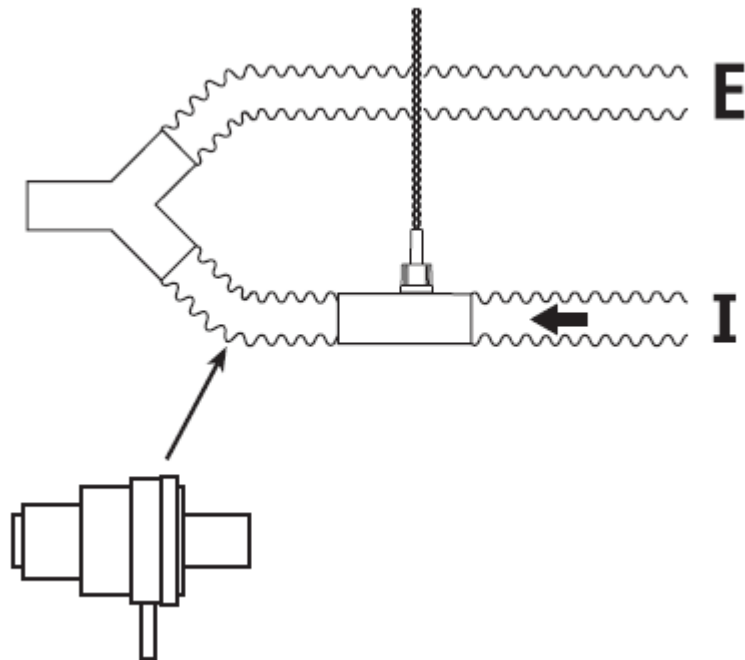


Figure #1

3. Place the medication nebulizer downstream of the sample tee on the inspiratory limb (see Figure #2.) This reduces saturation of the water separator cartridge, and contamination of the sample system.



Location of nebulizer distal from the inspiratory gas sample tee
Figure #2

NOTE: Change the filter every 12 hours or more often if necessary (for example, if you see a “**Sample Line/Filter Block**” alarm.)

For technical assistance regarding the INOmax DS_{IR} please contact technical support at 1-877-566-9466 (North America) or your specific country manager.

Mallinckrodt Manufacturing LLC
6603 Femrite Drive,
Madison, WI 53718-6801 USA

Mallinckrodt, the “M” brand mark and the Mallinckrodt Pharmaceuticals logo are trademark of a Mallinckrodt company. Other brands are trademarks of a Mallinckrodt company or their respective owner. ©2016 Mallinckrodt