



## Technical Bulletin

Ref: **TB- 09001**

Product: INOmax<sup>®</sup> DS

Affected parts: INOmax DS

Subject: **Ventilator Applications**

Issue date: **June 2009**

Priority: Low

Classification: Information

---

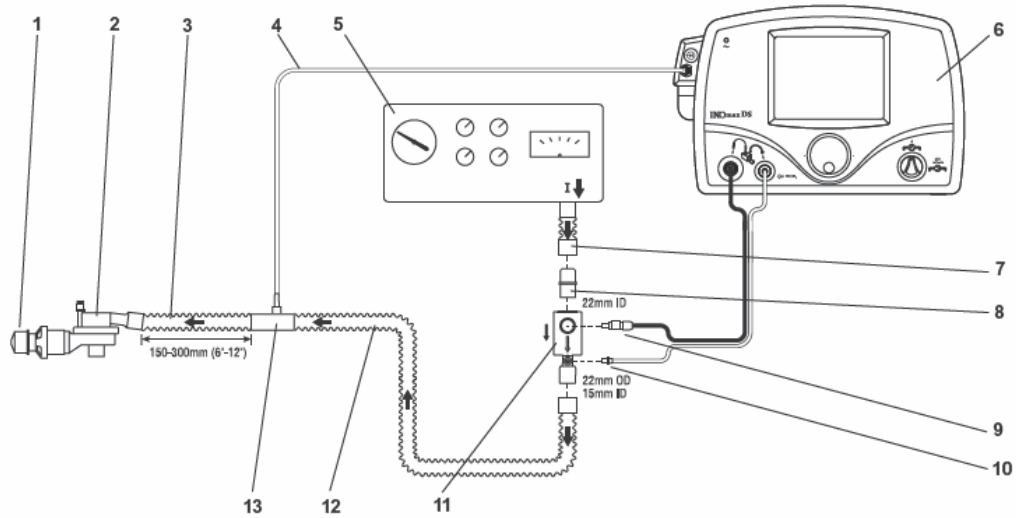
**Warning:** The approved patient population for the INOmax DS, as specified in the drug labeling for INOmax<sup>®</sup> (nitric oxide) for inhalation, is limited to neonates. The INOmax DS is not intended to be used in other patient populations.

**Warning:** The INOmax<sup>®</sup> DS subtracts gas from the breathing circuit via the gas sampling system at 230 mL per minute; this can effect the sensitivity of a flow triggered synchronized breath mode of some ventilators. The trigger sensitivity of the ventilator should be checked after connecting the INOmax DS to the breathing circuit.

**Caution:** Refer to page 32 in the INOmax DS Operation manual (Part No. 20003, Rev. 02) for a list of general precautions.

**Note:** Connections to various ventilators are unique to each manufacturer as well as their corresponding disposable circuits. Examples of diagrams and part numbers can be found on page 46 in the INOmax DS Operation manual (Part No. 20003, Rev. 02). For technical assistance, please contact INO Therapeutics (1-877-566-9466).

**Connection to a Transport Ventilator Circuit** (Airon Corporation, pNeuton; Smiths Medical, ventiPAC 200D and paraPAC Medic 200D)



- |                                |  |
|--------------------------------|--|
| 1. PEEP Valve                  | 8. 22M/15F X 22M/15F Adapter           |
| 2. Patient Wye                 | 9. Injector Module Electrical Cable    |
| 3. Circuit Hose                | 10. NO/N <sub>2</sub> Injector Tube    |
| 4. Patient Gas Sample Line     | 11. Injector Module                    |
| 5. Ventilator                  | 12. Inspiratory Breathing Circuit Hose |
| 6. INOmax® DS                  | 13. Gas Sample Tee                     |
| 7. Ventilator Inspiratory Port |  |

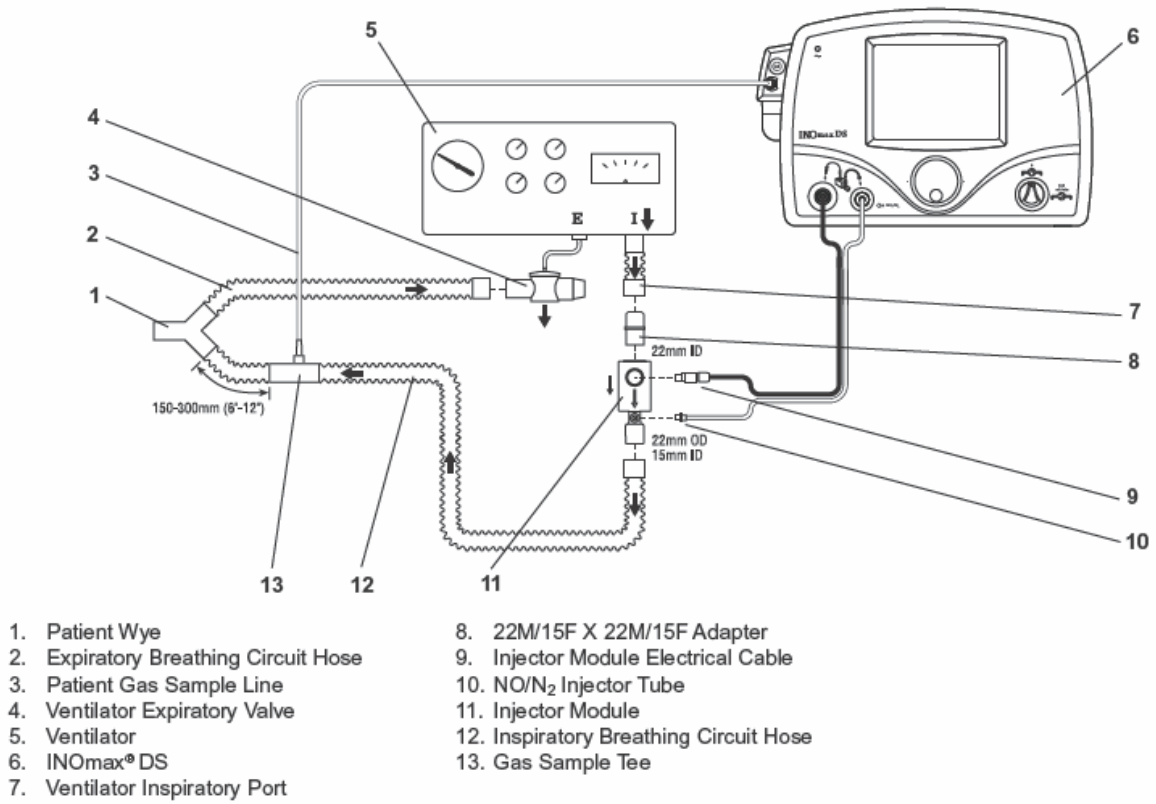
**Single-Limb Transport Ventilator Diagram**



**WARNING:** If the INOmax DS is to be used in a transport vehicle, it should be affixed to the transport mounting post (part number 10009), see Figure 4-10.

**Figure 4-10**

**Connection to a Transport Ventilator Circuit (Smiths Medical babyPAC 100)**



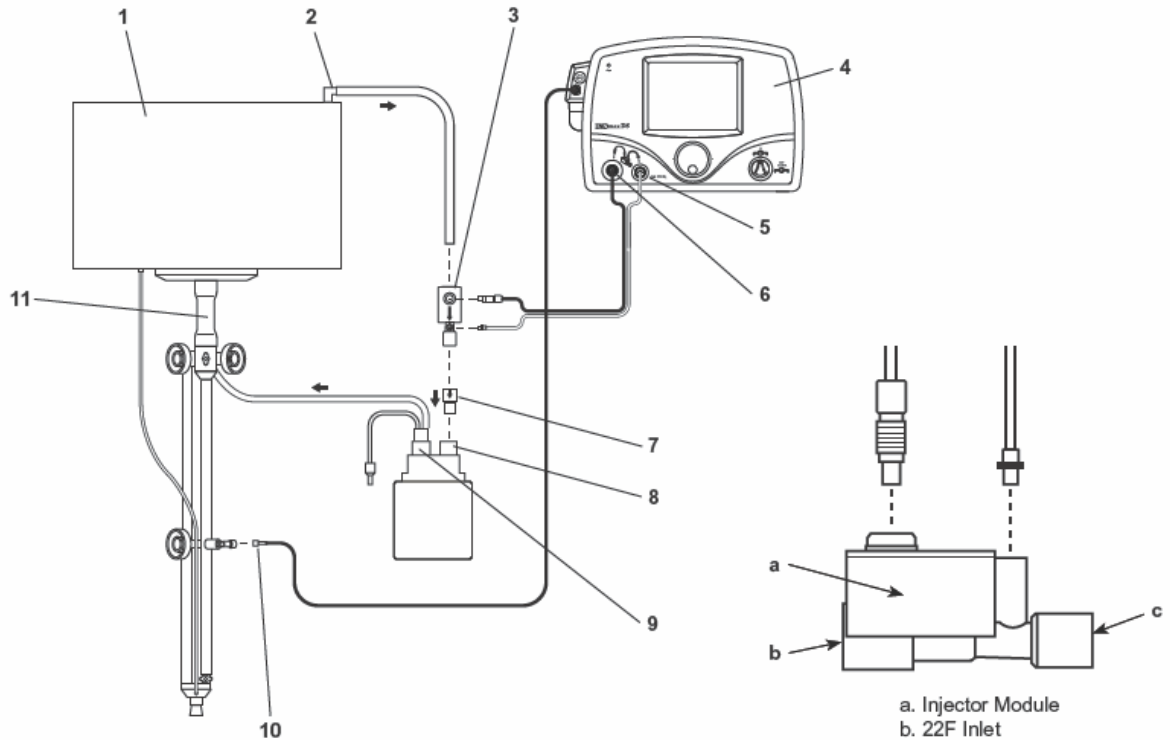
**Transport Ventilator Diagram**



**WARNING:** If the INOmax DS is to be used in a transport vehicle, it should be affixed to the transport mounting post (part number 10009), see Figure 4-10.

**Figure 4-10**

**Connection to a SensorMedics 3100A/B Oscillatory Ventilator with a Rigid or Flexible Circuit**

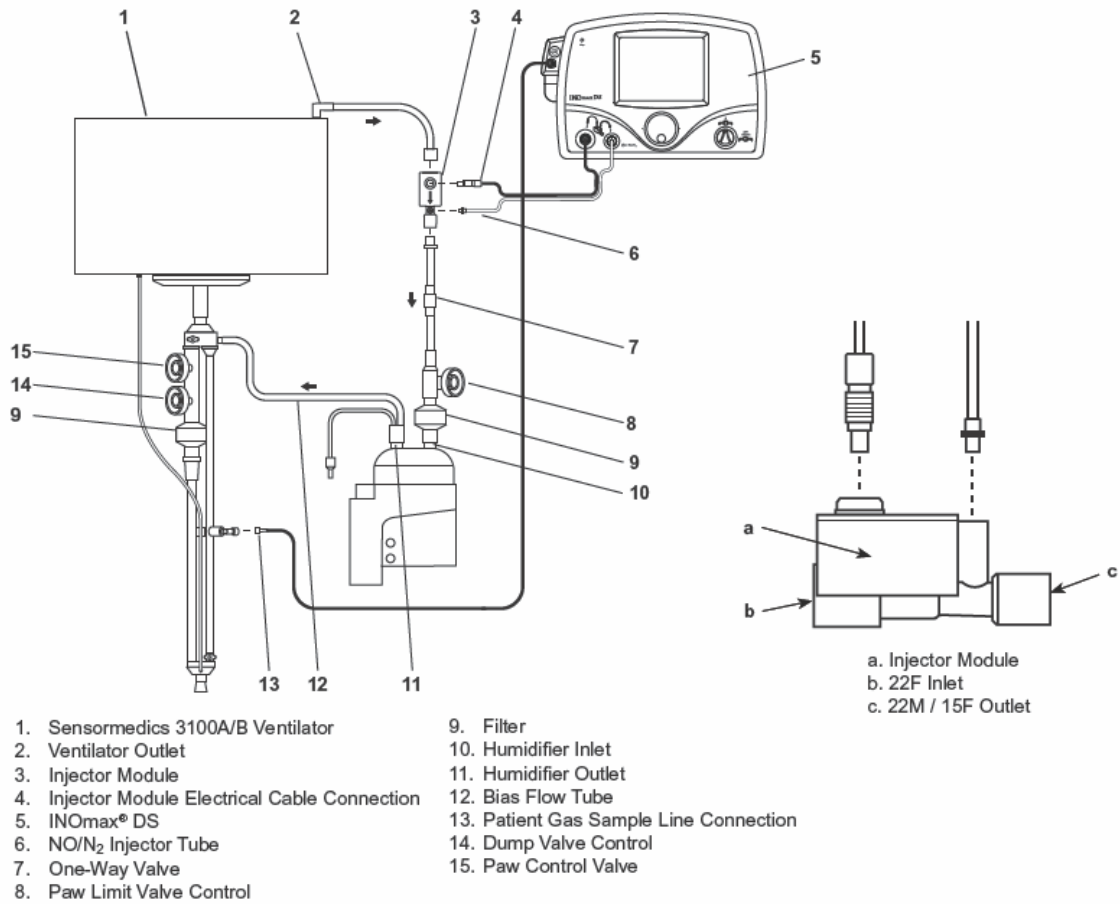


- |  |  |
|--|--|
| 1. SensorMedics 3100A/B Ventilator             | 7. One-Way Valve                       |
| 2. Ventilator Outlet                           | 8. Humidifier Inlet                    |
| 3. Injector Module                             | 9. Humidifier Outlet                   |
| 4. INOmax® DS                                  | 10. Patient Gas Sample Line Connection |
| 5. NO/N <sub>2</sub> Injector Tube Connection  | 11. Bias Flow Tube                     |
| 6. Injector Module Electrical Cable Connection |  |

**High Frequency Oscillatory Ventilator Diagram**

**WARNING:** Omission of the one-way valve may result in high NO delivery.

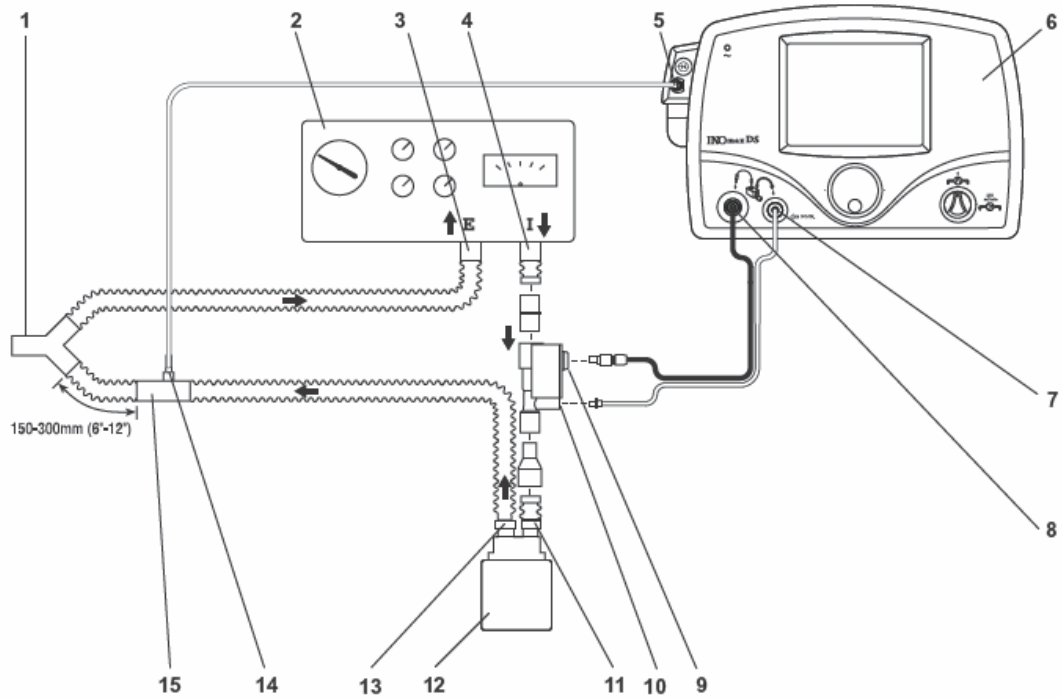
**Connection to a Sensormedics 3100A/B Oscillatory Ventilator with a Filtered Circuit**



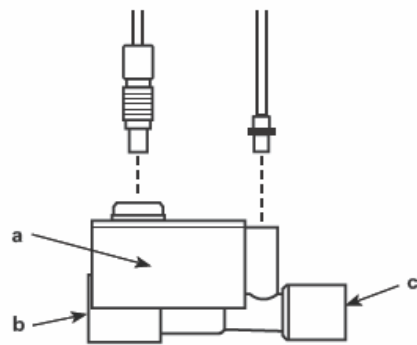
**High Frequency Oscillatory Ventilator Diagram**

**WARNING:** Omission of the one-way valve may result in high NO delivery.

**Connection to an ICU Ventilator Circuit** (Viasys Vela)



1. Patient Wye
2. Ventilator
3. Ventilator Expiratory Port
4. Ventilator Inspiratory Port
5. Patient Gas Sample Line Input Connection
6. INOmax® DS
7. NO/N<sub>2</sub> Injector Tube Front Panel Connection
8. Injector Module Electrical Cable Front Panel Connection
9. Injector Module Electrical Cable Connection
10. Injector Module NO/N<sub>2</sub> Injector Tube Connection
11. Humidifier Inlet
12. Humidifier
13. Humidifier Outlet
14. Patient Gas Sample Line
15. Gas Sample Tee



- a. Injector Module
- b. 22F Inlet
- c. 22M / 15F Outlet

**General Ventilator Diagram**